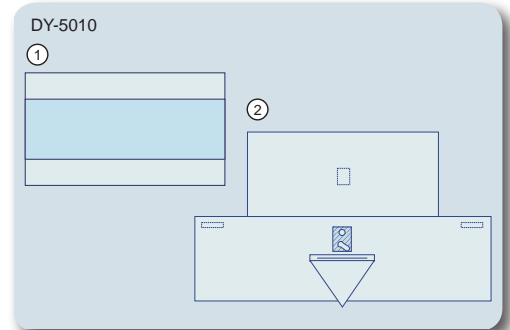


UROLOGY PACKS

TUR Pack

Code	No.	Bill of Materials	Qty.
DY-5010	1	Table Cover 137 x 150cm	1
	2	TUR Drape 180 x 240cm	1

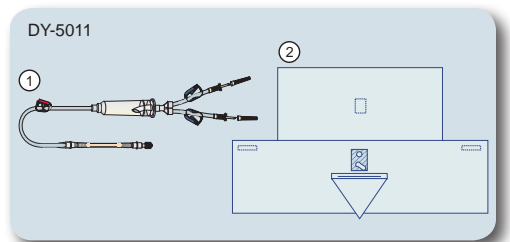
Qty/Box: 16



Urology Pack

Code	No.	Bill of Materials	Qty.
DY-5011	1	TUR Irrigation Set	1
	2	TUR Drape 180 x 240cm	1

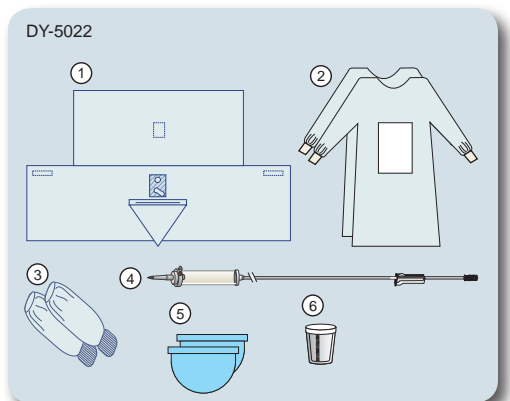
Qty/Box: 9



Lithiasis Pack

Code	No.	Bill of Materials	Qty.
DY-5022	1	TUR Drape 180 x 240cm	1
	2	Reinforced Gown, Medium	2
	3	Arm Sleeve 25 x 50cm	2
	4	Infusion Set Vented	1
	5	Bowl 250cc	2
	6	Cup 60cc	1

Qty/Box: 9

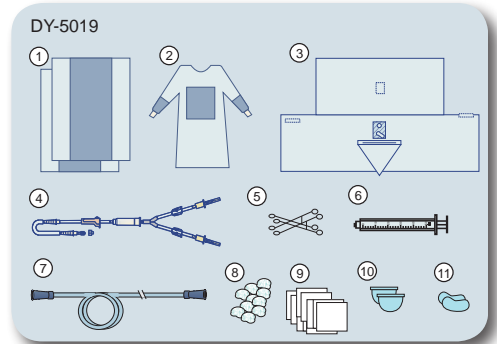


UROLOGY PACKS

TUR Pack

Code	.No	Bill of Materials	Qty.
DY-5019	1	Table Cover 100 x 137cm	2
	2	Reinforced Gown "XL"	2
	3	TUR Drape 180 x 240cm	1
	4	TUR Irrigation Set	1
	5	Forceps	2
	6	20cc Syringe Luer F/F.	1
	7	300cm Suction Set	1
	8	Gauze Ball 45mm	10
	9	Gauze Sponge 10 x 10cm	10
	10	Bowl 250cc	2
	11	Emesis Basin 700cc	2

Qty/Box: 4



TUR Irrigation Sets

Code	Description	Qty/Box
DM-0201	Double-Lead TUR	50
DM-0250	Ureteroscopy Irrigation System	30
DN-0102	Single-Lead TUR	25
DQ-0430	Urethral Drain Adaptor	100

