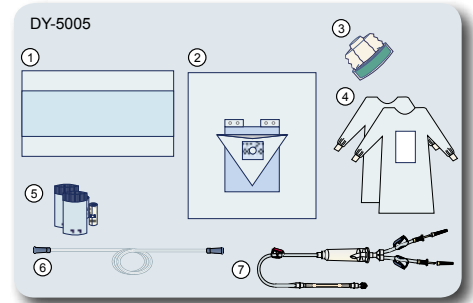


# ORTHOPEDIC PACKS

## Arthroscopy Pack

Code	No.	Bill of Materials	Qty.
DY-5005	1	Table Cover 100 x 137cm	1
	2	Arthroscopy Drape 228 x 300cm	1
	3	Camera Cover 15 x 236cm	1
	4	Reinforced Gown, Large	2
	5	Stockinette 30 x 60cm with Elastic Band	2
	6	3.0m Suction Tube F/F	1
	7	Arthroscopy Large Bore Irrigation Set	1

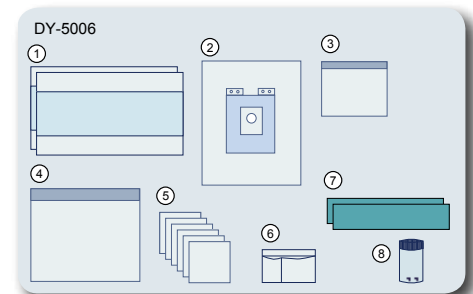
Qty/Box: 9



## Extremity Pack

Code	No.	Bill of Materials	Qty.
DY-5006	1	Table Cover 137 x 180cm	2
	2	Extremity Drape 228 x 300cm	1
	3	Drape 100 x 120 with Adhesive Strip	1
	4	Foot Drape 170 x 200cm with Adhesive Strip	1
	5	Hand Towel 40 x 40cm	6
	6	Diathermy Pouch 35 x 43cm	1
	7	O.P. Tape 50 x 10cm	2
	8	Stockinette 40 x 100 cm with O.P. Tape	1

Qty/Box: 6

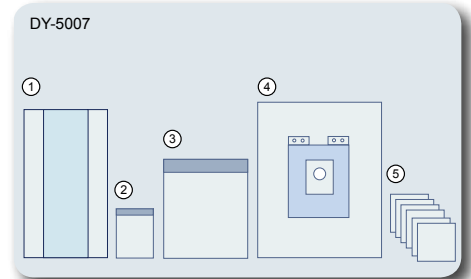


## ORTHOPEDIC PACKS

### Foot Pack

Code	No.	Bill of Materials	Qty.
DY-5007	1	Table Cover 137 x 180cm	1
	2	Side Drape 75 x 100cm	1
	3	Foot Drape 170 x 200cm with Adhesive Strip	1
	4	Extremity Drape 228 x 300cm	1
	5	Hand Towel	6

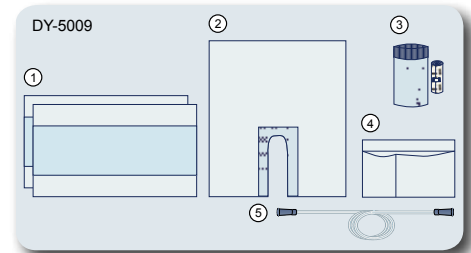
Qty/Box: 10



### Total Hip Replacement Pack

Code	No.	Bill of Materials	Qty.
DY-5009	1	Table Cover 100 x 137cm	2
	2	U Drape 220 x 250cm	1
	3	Stockinette 30 x 60cm with Elastic Band	1
	4	Diathermy Pouch 35 x 45cm	1
	5	3.0m Suction Tube F/F	1

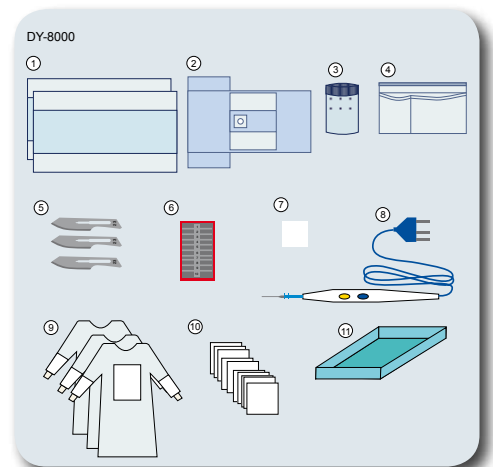
Qty/Box: 9



### Total Hip Pack

Code	No.	Bill of Materials	Qty.
DY-8000	1	Table Cover 150 x 250cm	2
	2	Hip Drape with Pouches	1
	3	Stockinette 40 x 100cm with O.P. Tape	1
	4	Diathermy Pouch 35 x 43cm	1
	5	Blade #23	3
	6	Needle Counter	1
	7	Tip Cleaner	1
	8	Electrosurgical Pencil	1
	9	Gown Reinforced XL	3
	10	Lap Sponge 45x45-4 X-Ray	10
	11	Tray	1

Qty/Box: 3

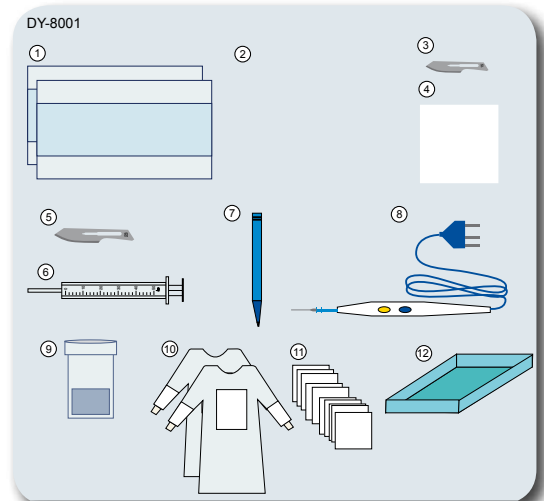


# ORTHOPEDIC PACKS

## Vertical Pack

Code	No.	Bill of Materials	Qty.
DY-8001	1	Table Cover 150 x 250cm	2
	2	Vertical Drape 320x245cm	1
	3	Blade #15	1
	4	Drape 90x100cm	1
	5	Blade #23	1
	6	Syringe 50cc Irrigation	1
	7	Skin Marker	1
	8	Electrosurgical Pencil	1
	9	Mayo Cover 80 x 140 cm	1
	10	Gown Reinforced XL	2
	11	Lap Sponge 45x45-4 X-Ray	10
	12	Tray	1

Qty/Box: 4



## Total Knee Pack

Code	No.	Bill of Materials	Qty.
DY-8002	1	Table Cover 150 x 250cm	2
	2	Stockinette 30 x 60 cm with Elastic Band	1
	3	Diathermy Pouch	1
	4	Blade #23	1
	5	Needle Counter	1
	6	Tip Cleaner	1
	7	Electrosurgical Pencil	1
	8	Gown Reinforced XL	3
	9	Extremity Drape 228x300cm	1
	10	Lap Sponge 45x45-4 X-Ray	10
	11	Tray	1

Qty/Box: 4

